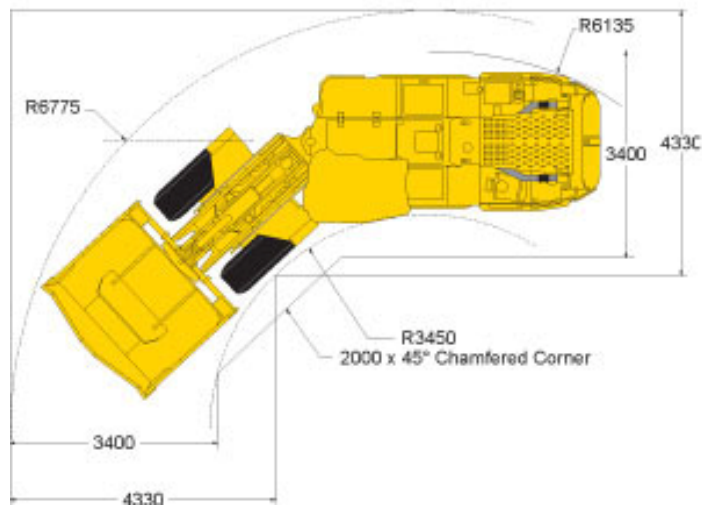
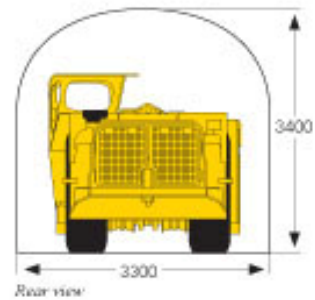


Technical data:

Left turning radius



Drift size

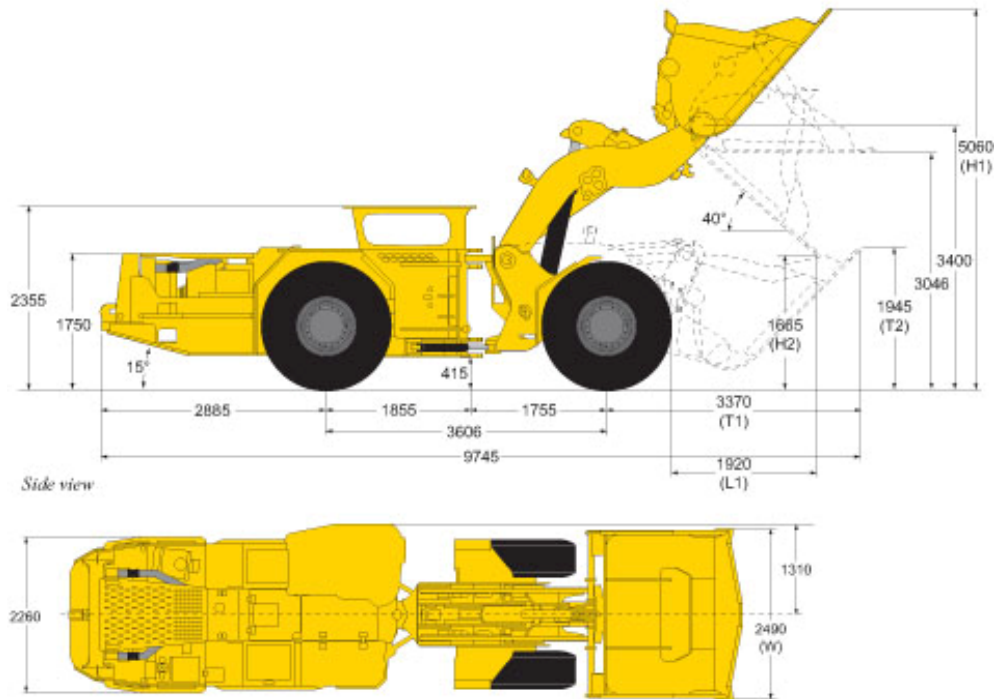


- Turning angle +/-42.5°
- Dimensions shown are based on standard vehicle configuration with 27 mm tire deflection.
- All dimensions are shown in millimetres.

Dimensions and weights:

- Approximate net weight 26 300 kg*
- Axle load, front 10 000 kg*
- Axle load, rear 16 300 kg*

*Standard equipped vehicle with empty bucket



- Dimensions shown are based on standard vehicle configuration with 27 mm tire deflection.
- All dimensions are shown in millimetres.